

Precision Chucks



Our Company

Special Cutting Tools

Circular- and
Thread Milling Tools

Cutting and Turning Tools

Driven Toolholders for
CNC Machining Centers

Driven Toolholders for
CNC Turning Machines

Multi-Spindle Technology

Modular Quick Change System
„mi“ and Hydroflex

Static Toolholders for
CNC Turning Machines

Precision Chucks

Terms of Sale and Delivery



mimatic® Makes machine tools complete!

Precision
mimatic® Universal Chucks guarantee maximum concentricity, reliability and tool life.

Force
Because of the particularly high clamping forces, mimatic® Universal Chucks securely lock tool in the chuck.

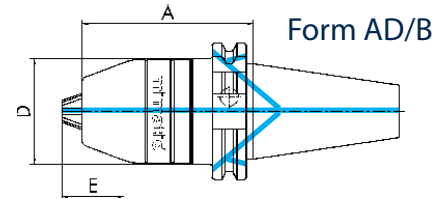
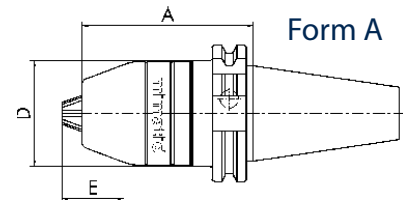
Flexibility
mimatic® Universal Chucks can be used flexibly for drilling, reaming, countersinking and milling.



	High Performance Precision Chucks			Standard Chucks		
Clamping range (mm)	0,5-10	0,5-13	3-16	0,5-10	0,5-13	3-16
Concentricity within clamping range (mm)	3-10	3-13	5-16	3-10	3-13	5-16
Max. tool shank diameter (mm)	10	13	16	10	13	16
Max. Revolutions per minute (min ⁻¹)	10000 (fine balanced up to 30000 r.p.m. *)					
Concentricity (mm)	< 0.015			< 0.03		
Torque (Nm)	45	70	80	30	70	80
Clamping method	Laterally with worm drive					
Coolant supply	No	Central or nozzles	Nozzles	Central or nozzles	Central or nozzles	Central or nozzles

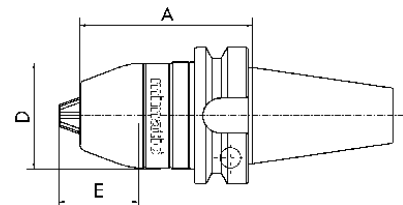
Precision Chucks

DIN 69871 A/AD/B



Order No. High Performance Precision Chucks	Standard Chucks	SK	A mm	D mm	Clamping Range	E mm	Internal coolant
132208	102880	30	80	43,0	0,5-10	29	
132192	131990	40	80	43,0	0,5-10	29	
132242	131986	40	80	48,5	0,5-13	29	
132394	132015	40	80	51,0	3-16	29	
132227	131997	40	80	48,5	0,5-13	29	X
132396	132017	40	80	51,0	3-16	29	X
132231	131961	50	110	48,5	0,5-13	29	
132420	132024	50	110	51,0	3-16	29	
132246	131987	50	110	48,5	0,5-13	29	X
132415	132032	50	110	51,0	3-16	29	X

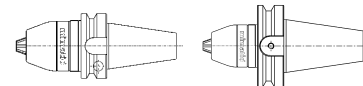
JIS B6339 (MAS 403 BT)



Internal coolant:

BT 40

BT 50



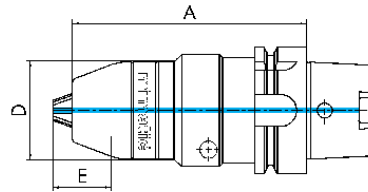
Order No. High Performance Precision Chucks	Standard Chucks	BT	A mm	D mm	Clamping Range	E mm	Internal coolant
132198	131985	30	91	43,0	0,5-10	29	
132265	132002	40	80	48,5	0,5-13	29	
132455	132044	40	80	51,0	3-16	29	
132273	132003	40	80	48,5	0,5-13	29	X
132445	132036	40	80	51,0	3-16	29	X
132277	132005	50	120	48,5	0,5-13	29	
132449	132045	50	120	51,0	3-16	29	
132285	131989	50	120	48,5	0,5-13	29	X
132450	132037	50	120	51,0	3-16	29	X

For balanced tools please note "-G" on your order



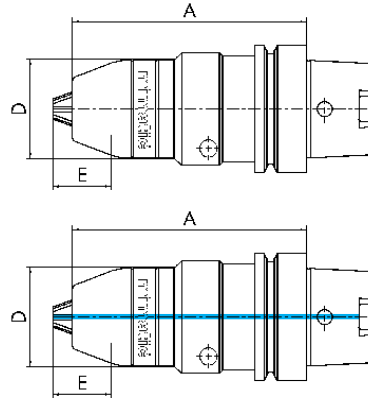
Precision Chucks

HSK DIN 69893-1 Form A



Order No. High Performance Precision Chucks	HSK	A mm	D mm	Clamping Range	E mm	Internal coolant
132342	50	117	48,5	0,5-13	29	X
132517	50	117	51,0	3-16	29	X
132340	63	117	48,5	0,5-13	29	X
132513	63	117	51,0	3-16	29	X
132359	80	117	48,5	0,5-13	29	X
132535	80	117	51,0	3-16	29	X
132323	100	125	48,5	0,5-13	29	X
132516	100	125	51,0	3-16	29	X

HSK DIN 69893-5 Form E

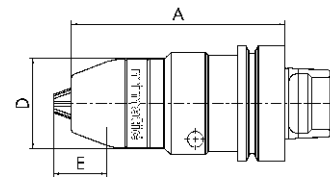


Order No. High Performance Precision Chucks	HSK	A mm	D mm	Clamping Range	E mm	Internal coolant
132352	50	117	48,5	0,5-13	29	
132555	50	117	48,5	3-16	29	
132366	50	117	48,5	0,5-13	29	X
132569	50	117	48,5	3-16	29	X
132367	63	117	48,5	0,5-13	29	
132524	63	117	48,5	3-16	29	
102956	63	117	48,5	0,5-13	29	X
102996	63	117	48,5	3-16	29	X

- HSK chucks: Coolant bridging tubes are not included in delivery
- For balanced tools please note "-G" on your order

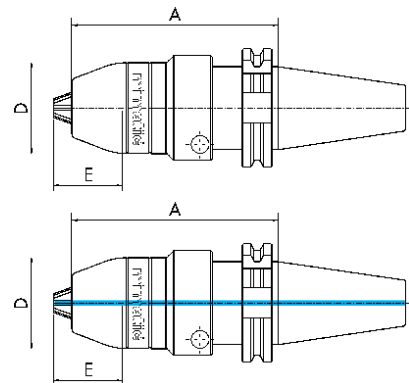
Precision Chucks

HSK DIN 69893-1 Form F



Order No. High Performance Precision Chucks	HSK	A mm	D mm	Clamping Range	E mm
102960	50	117	48,5	0,5-13	29
132562	50	117	48,5	3-16	29
132371	63	117	48,5	0,5-13	29
132525	63	117	48,5	3-16	29

ANSI-CAT metrical/UNC



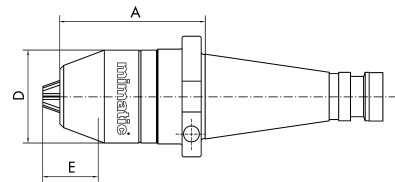
Order No. High Performance Precision Chucks	Standard Chucks	SK	A mm	D mm	Clamping Range	E mm	Internal coolant
metrical thread							
132250	131995	40	110	48,5	0,5-13	29	
132432	102894	40	110	51,0	3-16	29	
132251	131999	40	110	48,5	0,5-13	29	X
132426	102895	40	110	51,0	3-16	29	X
UNC thread							
132252	132000	40	110	48,5	0,5-13	29	X
132434	132034	40	110	51,0	3-16	29	
132255	132011	40	110	48,5	0,5-13	29	X
132429	132041	40	110	51,0	3-16	29	X

- HSK chucks: Coolant bridging tubes are not included in delivery
- For balanced tools please note "-G" on your order



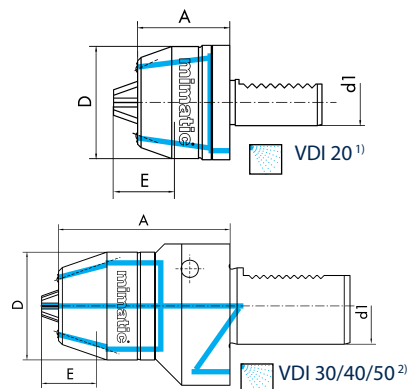
Precision Chucks

DIN 2080



Order No.	SK	A mm	D mm	Clamping Range	E mm
Standard Chucks					
132001	40	75,5	48,5	0,5-13	29
132035	40	75,5	51,0	3-16	29
132013	50	110	48,5	0,5-13	29
132043	50	110	51,0	3-16	29

DIN 69880 (VDI)



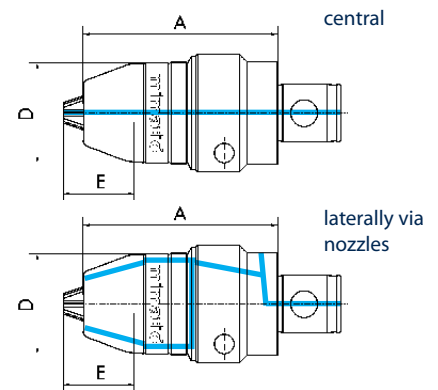
Order No.	VDI	A mm	D mm	Clamping Range	E mm	Internal coolant
Standard Chucks						
131983	20	40	48,5	0,5-10	27	X
132019	30	90	56,5	0,5-13	29	X
132046	30	90	56,5	3-16	29	X
132006	40	90	56,5	0,5-13	29	X
132047	40	90	56,5	3-16	29	X
132033	50	90	56,5	0,5-13	29	X
132039	50	90	56,5	3-16	29	X

1) Coolant supply over Index hole, exit over nozzles.
 2) Coolant supply over Index hole, exit over centerline and/ or nozzles.

For balanced tools please note "-G" on your order

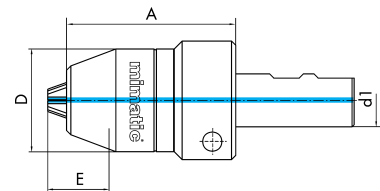
Precision Chucks

Komet® ABS



Order No. High Performance Precision Chucks	ABS	A mm	D mm	Clamping Range	E mm	Internal coolant	
						central	lateral
132294	50	95	48,5	0,5-13	29	X	
132484	50	95	51,0	3-16	29	X	
132469	63	95	51,0	3-16	29	X	
132304	50	95	56,5	0,5-13	29		X
132468	50	95	56,5	3-16	29		X

DIN 1835 B (Weldon)



Order No. Standard Chucks	d1 mm	A mm	D mm	Clamping Range	E mm	Internal coolant	
						central	lateral
132027	25	80	48,5	0,5-13	29	X	
132060	25	80	51,0	3-16	29	X	
132028	32	80	48,5	0,5-13	29	X	
132069	32	80	51,0	3-16	29	X	

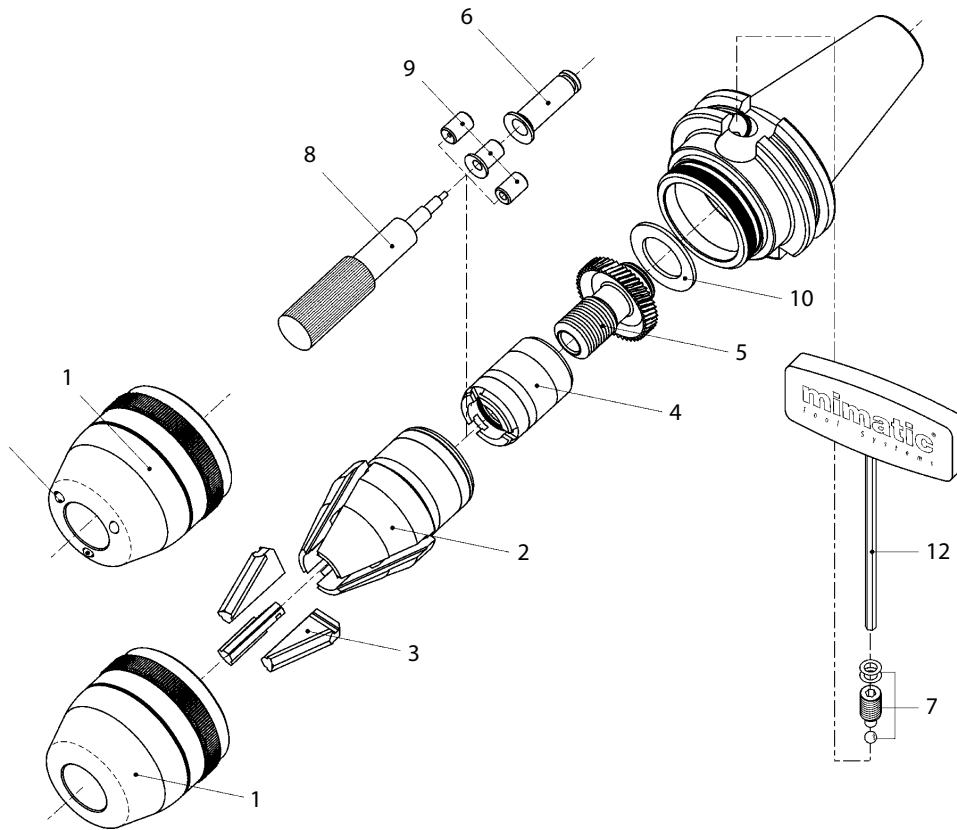
■ For balanced tools please note "-G" on your order



Spare Parts for High-Performance Chucks

Note:

The warranted concentricity can only be guaranteed if the chuck is overhauled here in our shop.



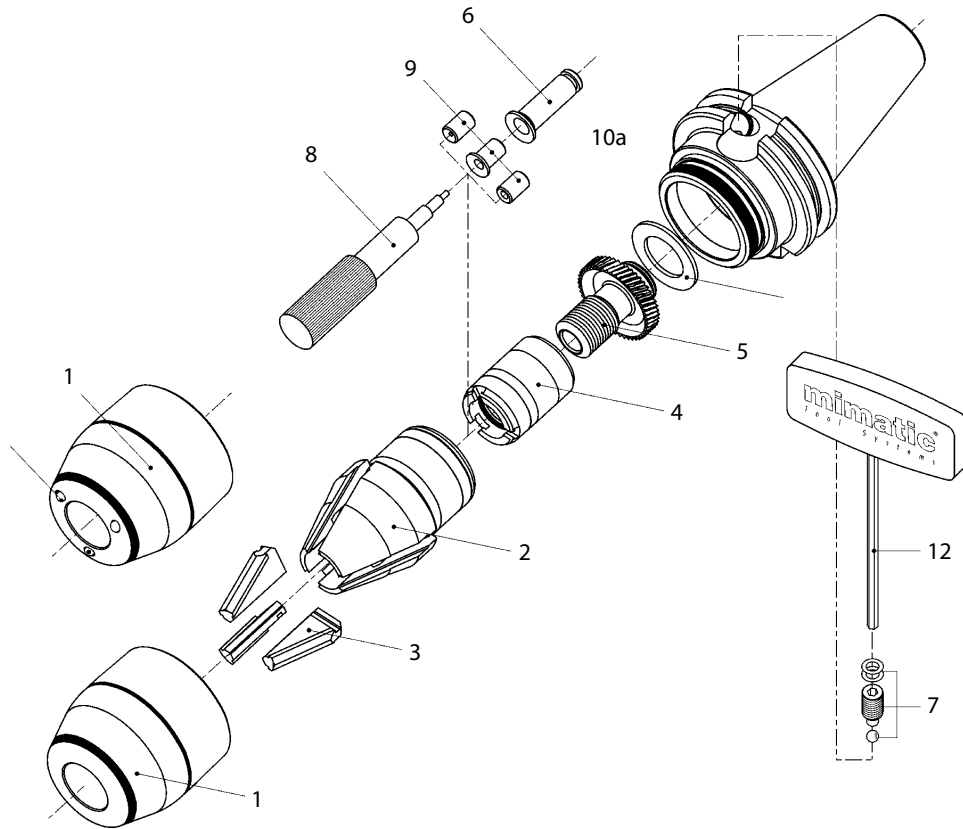
Spare Part Description	0,5 - 10 without coolant	0,5 - 13 without coolant	0,5 - 13 central coolant	0,5 - 13 coolant nozzles	3 - 16 without coolant	3 - 16 central coolant	3 - 16 coolant nozzles
1 Shutter Case	132790	132782	132782	132794	132808	132808	132855
2 Expanding Cone	132830	132793	132793	132793	132809	132809	132809
3 Set of Clamping Jaws	132559	132559	132559	132559	132559	132559	132559
4 Slide Sleeve	132780	132780	132780	132780	132832	132832	132832
5 Spindle	132884	132858	132858	132858	132858	132858	132858
6 Seal	132814	132814	132831	132814	132822	132868	132822
7 Worm, complete	132595	132560	132560	132560	132560	132560	132560
8 Seal Key	-	-	133276	-	-	133276	-
9 Seal Sleeves (Set) ¹	-	-	132541	-	-	132541	-
10 Spacer	132821	112070	112070	112070	112070	112070	112070
11 Nozzle (Piece)	-	-	-	112408	-	-	112408
12 Wrench	107600	107600	107600	107600	107600	107600	107600

¹) Set contains three different sleeves for tools with Ø 2,0-4,9; Ø 5,0-9,9; Ø 10,0-16

Spare Parts for Standard Chucks

Note:

The warranted concentricity can only be guaranteed if the chuck is overhauled here in our shop.



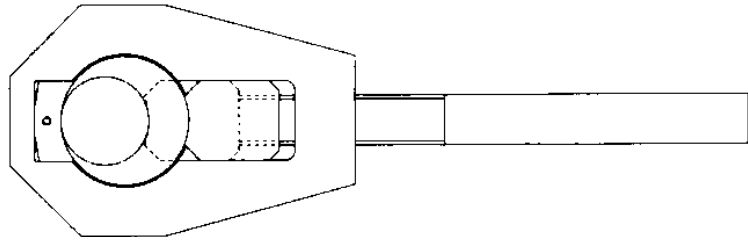
Series	10		07					
	0,5 - 10 without coolant	0,5 - 10 coolant nozzles	0,5 - 13 without coolant	0,5 - 13 central cool- ant	0,5 - 13 central cool- ant/nozzles	3 - 16 without coolant	3 - 16 central cool- ant/nozzles	3 - 16 central cool- ant/nozzles
1 Shutter Case	133252	132050	132029	132029	132008	132049	132049	132077
2 Expanding Cone	133282	133229	132793	132793	132793	132809	132809	132809
3 Set of Clamping Jaws	133251	133259	132559	132559	132559	132559	132559	132559
4 Slide Sleeve, Slide Key	133578	133250	132780	132780	132780	132832	132832	132832
5 Spindle	133506	—	132858	132858	132858	132858	132858	132858
6 Seal	—	—	132814	132831	132831	132822	132868	132831
7 Worm, complete	133313	—	132560	132560	132560	132560	132560	132560
8 Seal Key	—	—	—	133276	133276	—	133276	133276
9 Seal Sleeves (Set) ¹	—	—	—	132541	132541	—	132541	132541
10 Spacer	—	—	112070	112070	112070	112070	112070	112070
10a Ball Bearing Set	133288	133268	—	—	—	—	—	—
11 Nozzle (Piece)	—	112408	—	—	112408	—	—	112408
12 Wrench	107600	107574	107600	107600	107600	107600	107600	107600

1) Set contains three different sleeves for tools with Ø 2,0-4,9; Ø 5,0-9,9; Ø 10,0-16



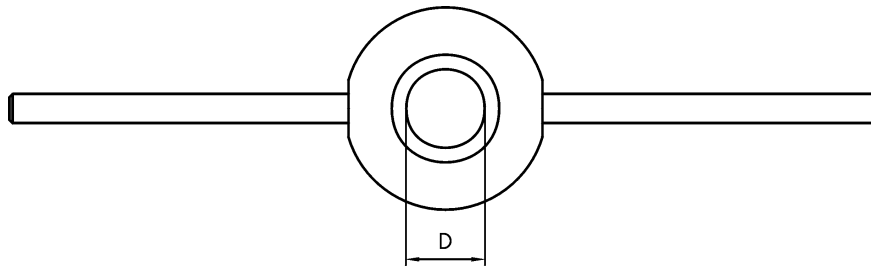
Accessories

2 6 5 3 4



Universal Assembly Tool for Series 10

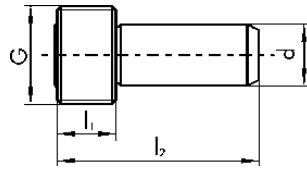
Order No.	Number	Description
152947		Locking key, complete excl.
154178	2	Jaws, steady
154249	3	Jaws, mobile
154257	4	Shaft
114333	5	Straight pin
114570	6	Flat head screw



Special Assembly Tool for Series 07 and 09

Order No.	for clamping range	D mm
132661	0,5-10 mm without coolant sleeve	43
132660	0,5-10 mm with coolant sleeve and 1-13 mm without coolant sleeve	48,5
132640	3-16 mm without coolant sleeve	51
132599	1-13 mm and 3-16 mm with coolant sleeve	56,5

Accessories



Coolant bridging tube with cap-nut and two O-rings.

Order No.	HSK size	d mm	G mm	l1 mm	l2 mm
112095	50	10	16 x 1	9,5	32,7
112028	63	12	18 x 1	11,5	36,2
112022	100	16	24 x 1,5	15,0	43,6

Wrench for the Coolant bridging tube



Order No.	HSK size	d mm	L mm
111643	50	14,5	117
111689	63	16,5	122
111597	100	22,0	141

Assembly of coolant bridging tube

