

Static Toolholders for  
CNC Turning Machines



Our Company

---

Special Cutting Tools

---

Circular- and  
Thread Milling Tools

---

Cutting and Turning Tools

---

Driven Toolholders for  
CNC Machining Centers

---

Driven Toolholders for  
CNC Turning Machines

---

Multi-Spindle Technology

---

Modular Quick Change System  
„mi“ and Hydroflex

---

Static Toolholders for  
CNC Turning Machines

---

High Performance Precision  
and Standard Chucks




---

Terms of Sale and Delivery

---



Table of Contents

		Type	Page
 		NEXUS QTNX + SQT	
		Combi Toolholder	289
		Combi Toolholder, twin type	289
		Combi Outer Turning Toolholder	290
		Combi Outer Turning Toolholder, twin type	290
		Combi Turning Toolholder for facing	291
		Multiplex MP	
		Combi Toolholder	292
		Combi Outer Turning Toolholder	292
		Combi Turning Toolholder for facing	293
	Accessories for Combi Toolholders	293-294	
 		90° Adaptor for Turning Tools	295
		90° Adaptor for Turning Tools, offset type	295
		Boring Bar Holder with clamping	296
		Boring Bar Holder with internal coolant	297
		Boring Bar Holder, offset type, internal coolant	297
		Double Boring Bar Holder with clamping	298
		Double Boring Bar Holder with internal coolant	298
		Cutting Holder for „ISCAR“ inserts	299
		Cutting Holder for „ISCAR“ inserts, overhead	299
		Accessories	300
<p>VDI Toolholders DIN 69880</p>       		Blank	
		A1 rectangular	302
		A2 round	302
		Radial Toolholder	
		B1 right-hand, short	302
		B2 left-hand, short	302
		B3 overhead, right-hand, short	302
		B4 overhead, left-hand, short	303
		B5 right-hand, long	303
		B6 left-hand, long	303
		B7 overhead, right-hand, long	303
		B8 overhead, left-hand, long	303
		Axial Toolholder	
		C1 right-hand	304
		C2 left-hand	304
		C3 overhead, right-hand	304
		C4 overhead, left-hand	304
		D1 Axial Multiple Toolholder	304
		D2 Axial Multiple Toolholder, overhead	304
		U-Drill Holder	305
		Boring Bar Holder	305
		Boring Bar Holder E2	306
		Boring Bar Holder E2 slotted	306
		Universal Chuck	306
		Collet Chuck	
		OZ „Ortlieb“	307
		ER „Regofix“	307
		Morse Taper Holder	307
	Bar Puller	307	
	Quick Change Tapping Chucks	308	
	Material Stop	308	
	Protection Plug	308	
	Accessories		
	Wrenches	309	
	Clamping Nuts	309	
	Collet Sets	309	
	Reducing Sleeve, slottet	310	
	Reducing Sleeve	310	

## Combi Toolholder

for manufacturer

**Mazak**

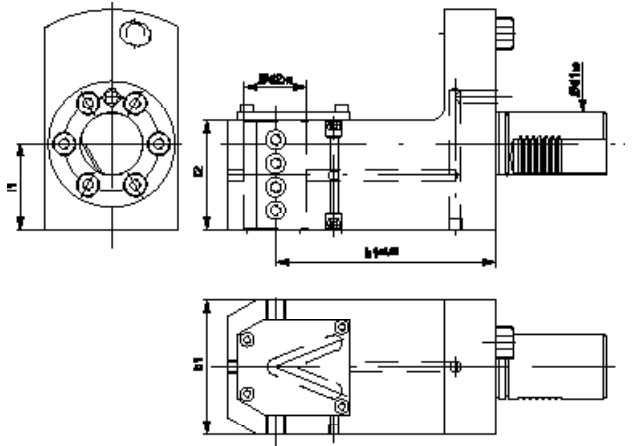
for machine type

NEXUS QTNX + SQT



Internal coolant supply

■ Reduction Sleeves and Collet inserts page 293-294



Order No.	Size	Machine	d1 mm	d2 mm	l1 mm	l2 mm	b1 mm	h1 mm
117971	VDI 40	QTNX 100 + SQT 10	40	25	55	65	76	110
117972	VDI 40	QTNX 100 + SQT 10	40	32	55	65	76	110
117961	VDI 40	QTNX 100 + SQT 10	40	40	55	65	76	110
152680	VDI 40	QTNX 200/250 + SQT 15	40	25	55	70	85	140
152681	VDI 40	QTNX 200/250 + SQT 15	40	32	55	70	85	140
152682	VDI 40	QTNX 200/250 + SQT 15	40	40	55	70	85	140
118018	VDI 50	QTNX 300/350 + SQT 28/30	50	32	63	90	92	175
118008	VDI 50	QTNX 300/350 + SQT 28/30	50	50	63	90	92	175

## Combi Toolholder, Twin-type

for manufacturer

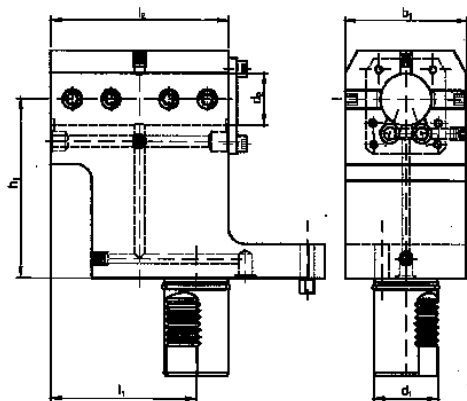
**Mazak**

for machine type

NEXUS QTNX + SQT



Internal coolant supply



Order No.	Size	Machine	d1 mm	d2 mm	l1 mm	l2 mm	b1 mm	h1 mm
117976	VDI 40	QTNX 100 + SQT 10	40	32	90	110	76	110
117978	VDI 40	QTNX 200/250 + SQT 15	40	40	90	110	84	140

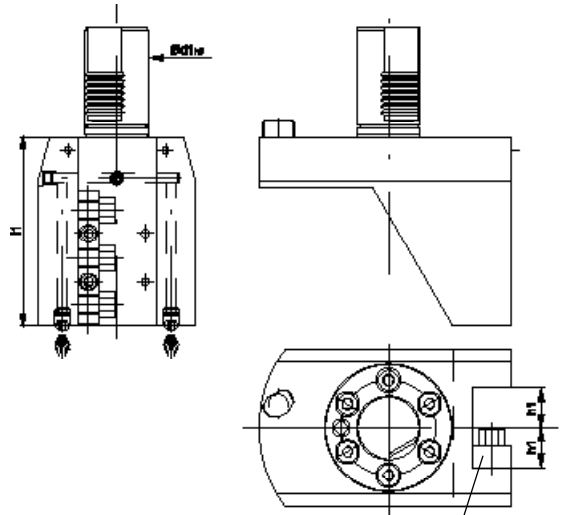
## Combi Outer Turning Toolholder (right-hand/left-hand)

for manufacturer  
**Mazak**

for machine type  
NEXUS QTNX + SQT



Internal coolant supply



Convertible for right- and left hand motion

Order No.	Size	Machine	d1 mm	l1 mm	h1 mm
117986	VDI 40	QTNX 100 + SQT 10	40	100	20
152683	VDI 40	QTNX 200/250 + SQT 15	40	120	25
118022	VDI 50	QTNX 300/350 + SQT 28/30	50	150	25

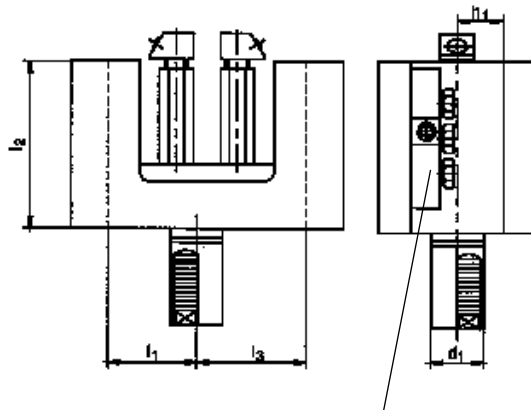
## Combi Outer Turning Toolholder, Twin-type (right-hand/left-hand)

for manufacturer  
**Mazak**

for machine type  
NEXUS QTNX + SQT



Internal coolant supply



Convertible for right- and left hand motion

Order No.	Size	Machine	d1 mm	l1 mm	l2 mm	l3 mm	h1 mm
117988	VDI 40	QTNX 100 + SQT 10	40	45	100	73	20
117996	VDI 40	QTNX 200/250 + SQT 15	40	40	125	70	25
118010	VDI 50	QTNX 300/350 + SQT 28/30	50	46	146	75	25

# Combi Turning Toolholder for Facing (right-hand/left-hand)

for manufacturer

**Mazak**

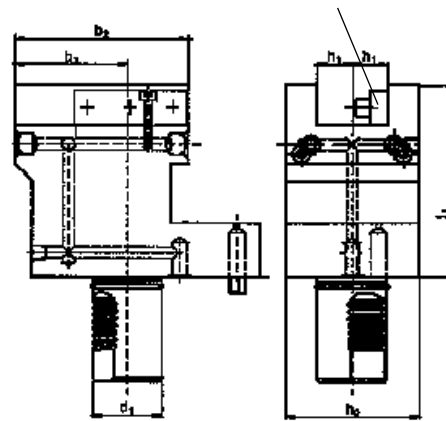
for machine type

NEXUS QTNX + SQT



Internal  
coolant supply

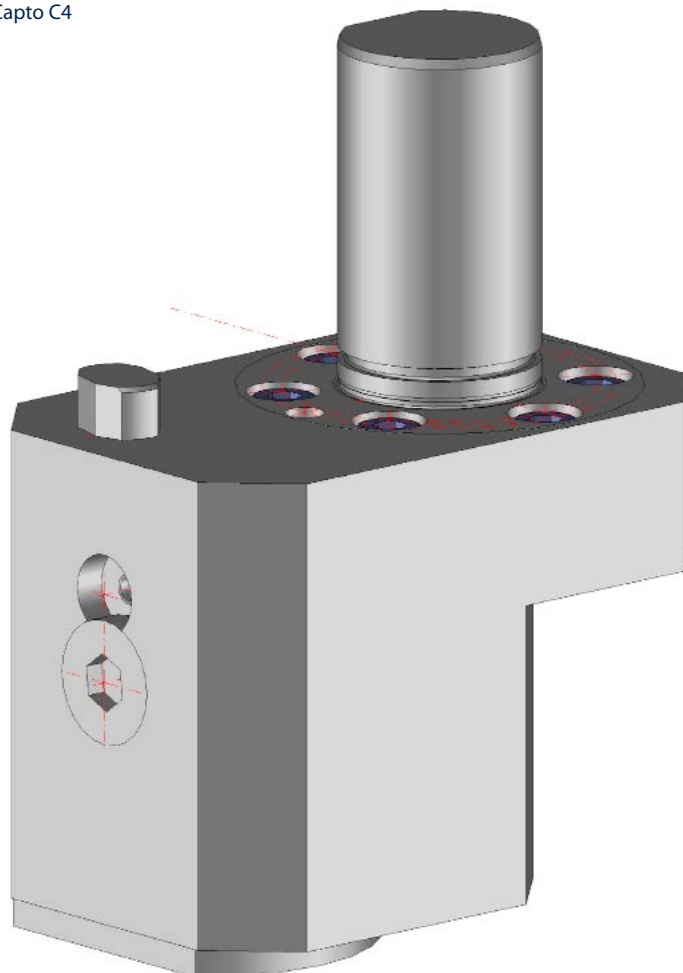
Convertible for right- and left hand motion



Order No.	Size	Machine	d1 mm	h2 mm	l1 mm	b1 mm	b2 mm	h1 mm
118000	VDI 40	QTNX 100 + SQT 10	40	76	110	60	110	20
117990	VDI 40	QTNX 200/250 + SQT 15	40	86	143	65	115	25
118012	VDI 50	QTNX 300/350 + SQT 28/30	50	98	163	57	120	25

We also produce static toolholders with Capto-interface.  
Please ask for details.

Picture shows a straight static toolholder with Capto C4  
interface for Mazak MP 6200.



## Combi Toolholder

for manufacturer

**Mazak**

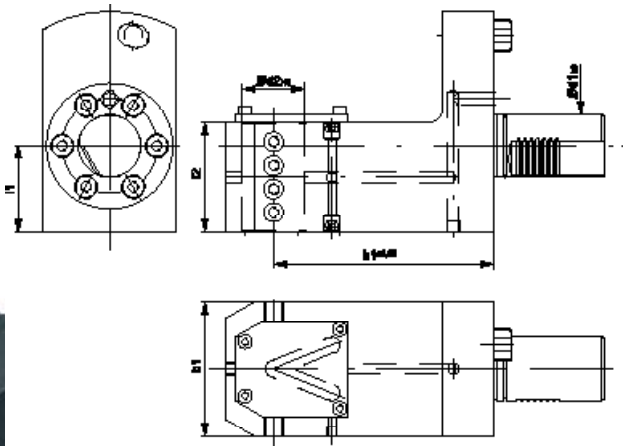
for machine type

Multiplex MP

■ Reduction Sleeves and Collet inserts page 300



Internal coolant supply



Order No.	Size	Machine	d1 mm	d2 mm	l1 mm	l2 mm	b1 mm	h1 mm
117979	VDI 40	MP 610	40	25	10	65	76	130
117981	VDI 40	MP 610	40	32	10	65	76	130
117982	VDI 40	MP 610	40	40	10	65	76	130
117983	VDI 40	MP 620	40	25	10	70	76	150
117964	VDI 40	MP 620	40	32	10	70	76	150
117984	VDI 40	MP 620	40	40	10	70	76	150
117985	VDI 40	MP 620	40	50	10	70	76	150

## Combi Outer Turning Toolholder

for manufacturer

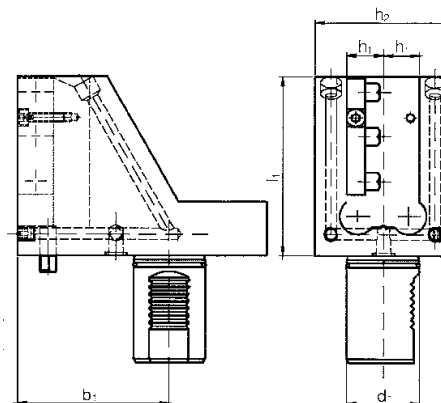
**Mazak**

for machine type

Multiplex MP



Internal coolant supply



Order No.	Size	Machine	d1 mm	l1 mm	h2 mm	b1 mm	h1 mm
117997	VDI 40	MP 610	40	100	76	85	20
117998	VDI 40	MP 620	40	120	50	83	25

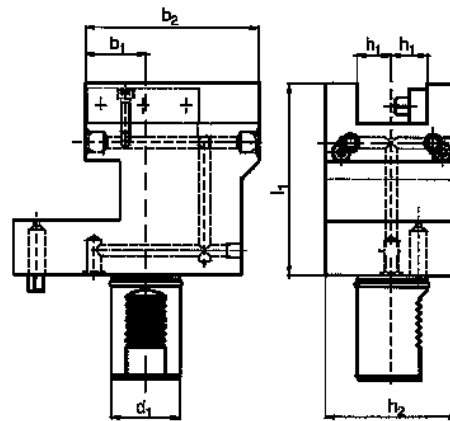
# Combi Turning Toolholder for Facing

for manufacturer  
**Mazak**

for machine type  
**Multiplex MP**



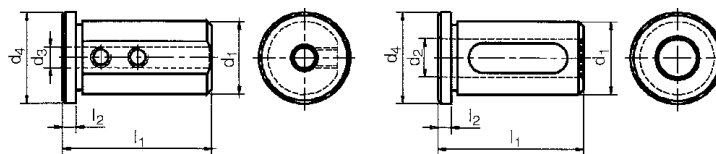
Internal coolant supply



Order No.	Size	Machine	d1 mm	b2 mm	l1 mm	h2 mm	b1 mm	h1 mm
117992	VDI 40	MP 610	40	100	110	76	35	20
117993	VDI 40	MP 620	40	115	143	80	35	25

## Accessories for Combi Toolholders

### Sleeve



Pict. 1

Pict. 2

Order No.	Pict.	d1 mm	d2 mm	d3 mm	d4 mm	l1 mm	l2 mm
104527	1	25		6	29	50	4
104444	1	25		8	29	50	4
104445	1	25		10	29	50	4
104494	1	25		12	29	50	4
104537	2	25	16		29	50	4
104469	2	25	20		29	50	4
104528	1	32		6	40	58	5
104519	1	32		8	40	58	5
104454	1	32		10	40	58	5
104487	1	32		12	40	58	5
104548	2	32	16		40	58	5
104489	2	32	20		40	58	5
104522	2	32	25		40	58	5

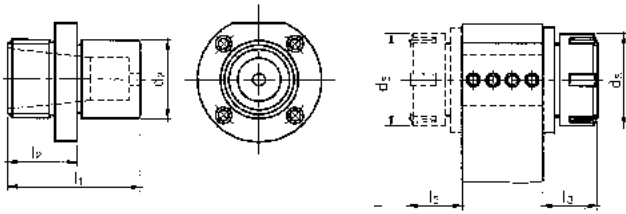
Order No.	Pict.	d1 mm	d2 mm	d3 mm	d4 mm	l1 mm	l2 mm
104507	1	40		8	44	58	5
104549	1	40		10	44	58	5
104531	1	40		12	44	58	5
104514	2	40	16		44	58	5
104555	2	40	20		44	58	5
104551	2	40	25		44	58	5
104609	2	40	32		44	58	5
104558	1	50		12	54	75	5
104525	2	50	16		54	75	5
104586	2	50	20		54	75	5
104587	2	50	25		54	75	5
104588	2	50	32		54	75	5
104559	2	50	40		54	75	5





## Accessories for Combi Toolholders

### Collet Insert



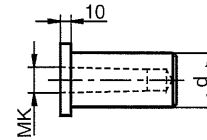
Order No.	d2 mm	Size	Range	d3 mm	l1 mm	l2 mm	l3 mm
135232	32	E 430	2-16	42	49	25	37
135239	32	E 470	3-20	50	52	28	41
135234	40	E 430	2-16	42	49	25	37
135238	40	E 470	3-20	50	52	28	41
135233	50	E 472	4-26	63	52	28	42

### Collet Set acc. to DIN 6499, Class 2



Order No.	Pieces	Size	Range
152712	10	ER 16	1-10
152713	15	ER 25	2-16
152715	18	ER 32	3-20
152716	23	ER 40	4-26

### Drill Adapting Sleeve



Order No.	d mm	MK
105152	25	1
105134	25	2
105176	32	1
105191	32	2
105192	32	3
105086	40	1
105125	40	2
105103	40	3
105120	40	4
105068	50	2
105049	50	3
105087	50	4

### Steel blanking Plug for MAZAK CNC Turning Machines

Order No.	Size
118017	VDI 40
118049	VDI 50

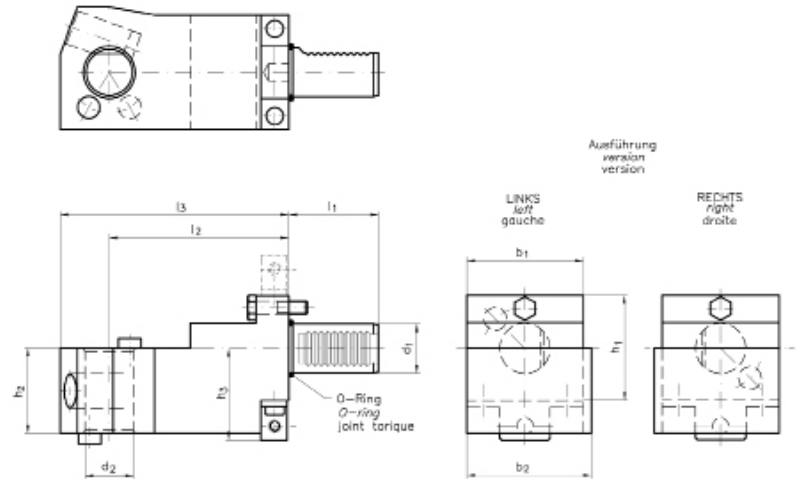
## 90° Adaptor for Turning Tools

for manufacturer



for turret type

Star-type turret



For ordering please declare your required version (right-hand or left-hand)

Order No.	Size	d1 mm	d2 mm	l1 mm	l2 mm	l3 mm	b1 mm	b2 mm	h1 mm	h2 mm	h3 mm
121243 (L) / 121218 (R)	VDI 20	20	20	40	75	100	54	59	54	44	42,0
121244 (L) / 121228 (R)	VDI 25	25	20	48	75	100	54	60	60	44	48,0
121201 (L) / 121266 (R)	VDI 25	25	25	48	75	100	54	63	60	44	48,0
121275 (L) / 121211 (R)	VDI 30	30	30	55	85	115	70	75	70	52	56,0
121239 (L) / 121214 (R)	VDI 30	30	30	55	100	130	70	75	70	52	56,0
121212 (L) / 121219 (R)	VDI 40	40	40	63	100	138	85	93	85	60	67,5
121223 (L) / 121229 (R)	VDI 40	40	40	63	120	158	85	93	85	60	67,5
121220 (L) / 121284 (R)	VDI 50	50	50	78	120	165	90	109	100	72	73,5

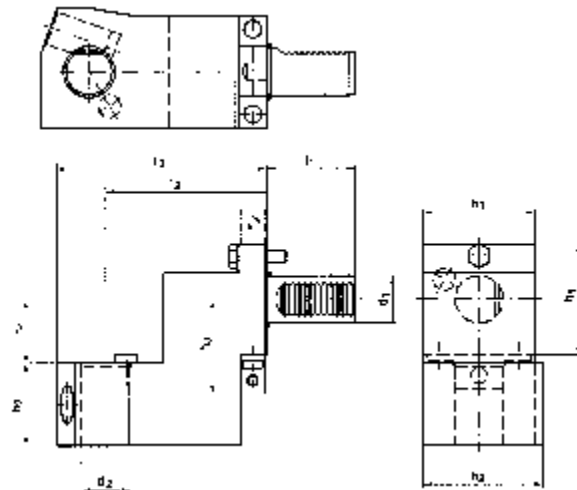
## 90° Adaptor for Turning Tools, Offset-type

for manufacturer



for turret type

Star-type turret



For ordering please declare your required version (right-hand or left-hand)

Order No.	Size	d1 mm	d2 mm	l1 mm	l2 mm	l3 mm	b1 mm	b2 mm	h1 mm	h2 mm	h3 mm	h4 mm
121215 (L) / 121254 (R)	VDI 20	20	20	40	75	100	54	59	54	44	42,0	30
121230 (L) / 121255 (R)	VDI 25	20	20	48	75	100	54	60	60	44	48,0	30
121293 (L) / 121256 (R)	VDI 25	25	25	48	75	100	54	63	60	44	48,0	30
121224 (L) / 121300 (R)	VDI 30	30	30	55	85	115	70	75	70	52	56,0	40
121231 (L) / 121232 (R)	VDI 30	30	30	55	100	130	70	75	70	52	56,0	40
121276 (L) / 121309 (R)	VDI 40	40	40	63	100	139	85	93	85	60	67,5	50
121301 (L) / 121225 (R)	VDI 40	40	40	63	120	159	85	93	85	60	67,5	50

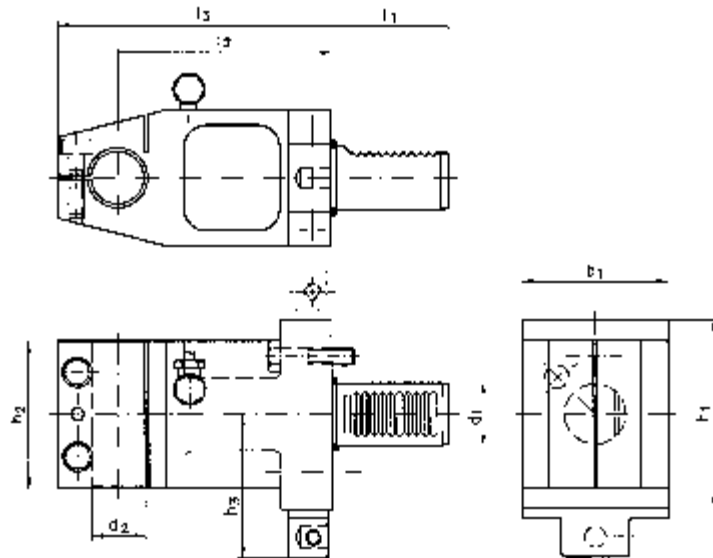
## Boring Bar Holder with Clamping

for manufacturer



for turret type

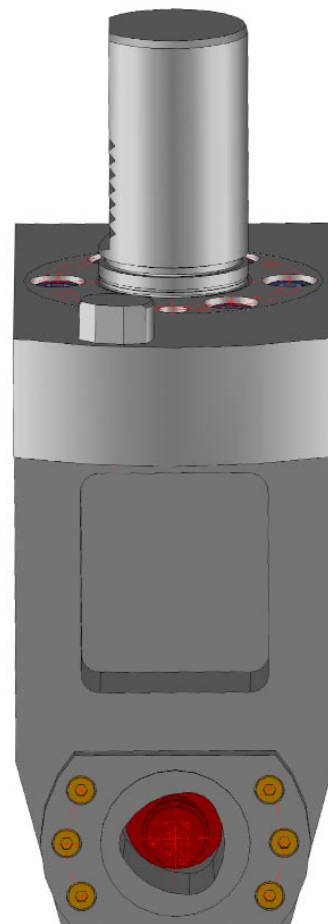
Star-type turret



Order No.	Size	d1 mm	d2 mm	l1 mm	l2 mm	l3 mm	b1 mm	h1 mm	h2 mm	h3 mm
121302	VDI 20	20	25	40	75	99,5	54	54	48	42,0
121245	VDI 25	25	25	48	75	99,5	54	60	48	48,0
121294	VDI 30	30	25	55	85	113	64	70	70	56,0
121310	VDI 30	30	32	55	85	113	64	70	70	56,0
121216	VDI 30	30	25	55	100	128	64	70	70	56,0
121246	VDI 30	30	32	55	100	128	64	70	70	56,0
121318	VDI 40	40	32	63	100	132	76	85	85	67,5
121258	VDI 40	40	32	63	120	132	76	85	85	67,5

We also produce static toolholders with Capto-interface.  
Please ask for details.

Picture shows a straight static toolholder with Capto C4  
interface for Mazak MP 6200.



## Boring Bar Holder

for manufacturer

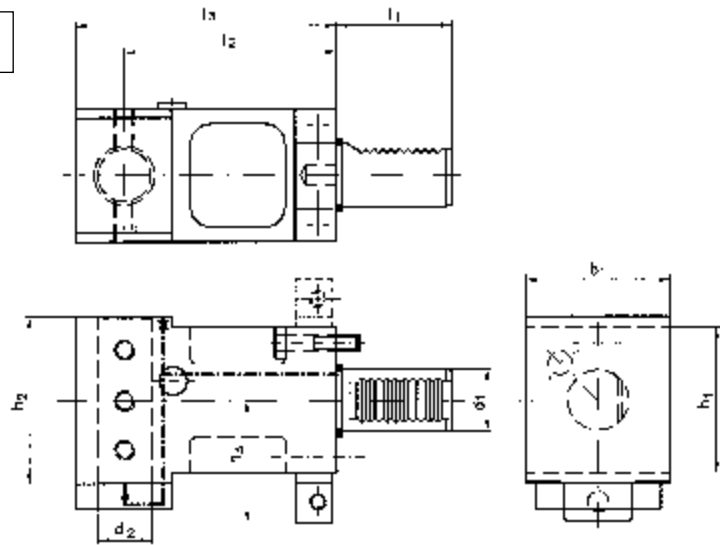


for turret type

Star-type turret



Internal coolant supply



Order No.	Size	d1 mm	d2 mm	l1 mm	l2 mm	l3 mm	b1 mm	h1 mm	h2 mm	h3 mm
121267	VDI 20	20	25	40	75	97,5	54	54	60	42,0
121304	VDI 25	25	25	48	75	97,5	54	60	60	48,0
121327	VDI 30	30	32	55	85	108	64	70	70	56,0
121217	VDI 30	30	32	55	100	123	64	70	70	56,0
121247	VDI 40	40	40	63	100	132	76	85	85	67,5
121268	VDI 40	40	40	63	120	152	76	85	85	67,5
121328	VDI 50	50	50	78	120	160	85	100	100	73,5

## Boring Bar Holder, Offset-type

for manufacturer

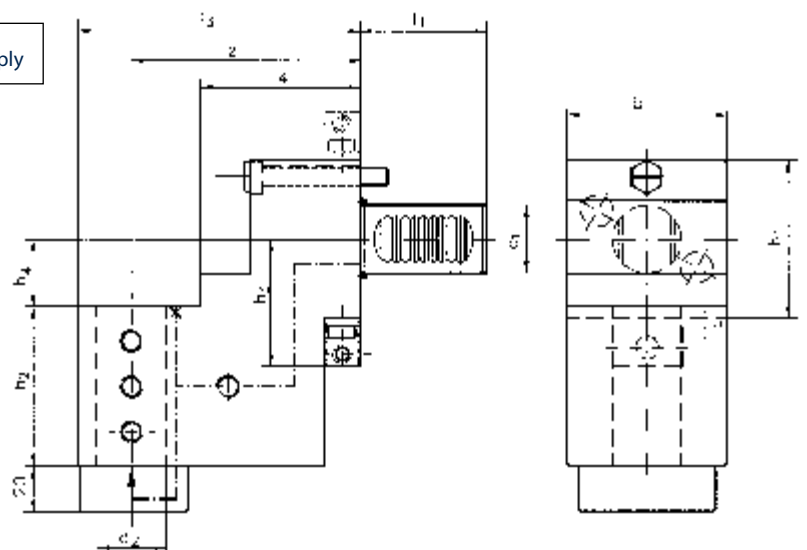


for turret type

Star-type turret



Internal coolant supply



Order No.	Size	d1 mm	d2 mm	l1 mm	l2 mm	l3 mm	l4 mm	b1 mm	h1 mm	h2 mm	h3 mm	h4 mm
121334	VDI 25	25	25	48	75	97,5	48	54	60	60	48	20
121279	VDI 30	30	32	55	100	123	70	64	70	70	56	30
121259	VDI 40	40	40	63	100	132	63	85	85	85	67,5	40

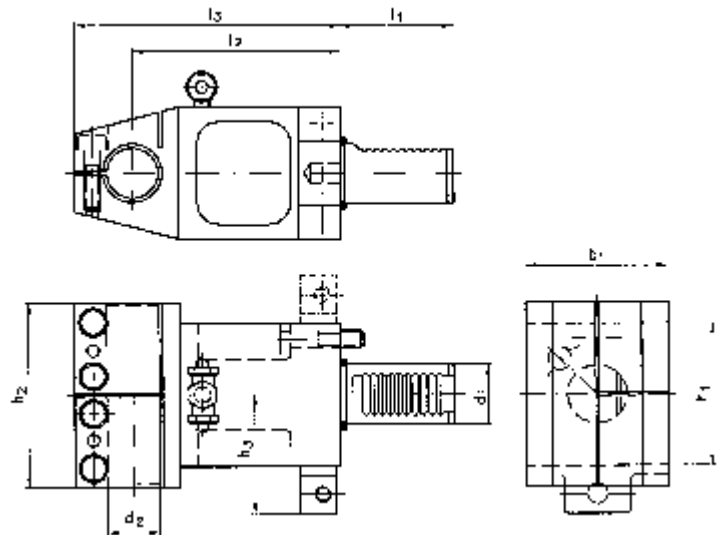
## Double Boring Bar Holder with Clamping

for manufacturer



for turret type

Star-type turret



Order No.	Size	d1 mm	d2 mm	l1 mm	l2 mm	l3 mm	b1 mm	h1 mm	h2 mm	h3 mm
121277	VDI 20	20	25	40	75	99,5	54	54	75	42
121326	VDI 25	25	25	48	75	99,5	54	60	75	48
121278	VDI 30	30	32	55	85	113	64	70	94	56
121303	VDI 30	30	32	55	100	128	64	70	94	56

## Double Boring Bar Holder

for manufacturer

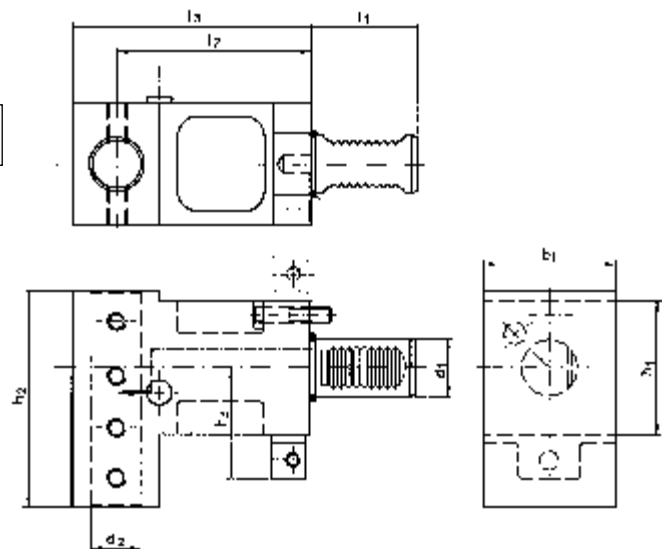


for turret type

Star-type turret



Internal  
coolant supply



For ordering please declare your required version (right-hand or left-hand)

Order No.	Size	d1 mm	d2 mm	l1 mm	l2 mm	l3 mm	b1 mm	h1 mm	h2 mm	h3 mm
121305 (L) / 121329 (R)	VDI 20	20	25	40	75	97,5	54	54	96	42,0
121260	VDI 20	20	25	40	75	97,5	54	54	96	42,0
121280 (L) / 121330 (R)	VDI 25	25	25	48	75	97,5	54	60	96	48,0
121281	VDI 25	25	25	48	75	97,5	54	60	96	48,0
121261 (L) / 121262 (R)	VDI 30	30	32	55	85	108	64	70	120	56,0
121312	VDI 30	30	32	55	85	108	64	70	120	56,0
121263 (L) / 121313 (R)	VDI 30	30	32	55	100	123	64	70	120	56,0
121269	VDI 30	30	32	55	100	123	64	70	120	56,0
121270	VDI 40	40	40	63	120	152	76	85	120	67,5

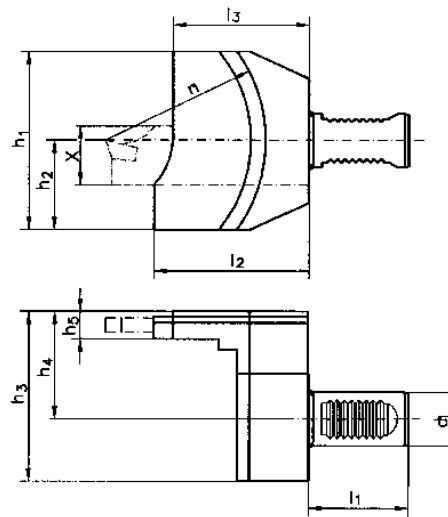
## Cutting Holder for „ISCAR“ Inserts

for manufacturer

**SAUTER**

for turret type

Star-type turret



Order No.	Size	d1 mm	l1 mm	l2 mm	l3 mm	h1 mm	h2 mm	h3 mm	h4 mm	h5 mm	r1 mm	X mm
121306	VDI 20	20	40	85,5	75	94	47	95	60	15,5	88	26
121285	VDI 25	25	48	85,0	75	73	39	72	43	15,5	88	26
121331	VDI 25	25	48	85,0	75	73	39	72	43	15,5	88	32
121332	VDI 30	30	55	85,5	75	100	50	95	60	15,5	88	26
121271	VDI 30	30	55	85,5	75	100	50	95	60	15,5	88	32
121282	VDI 40	40	63	85,5	75	100	50	95	60	15,5	88	26
121307	VDI 40	40	63	88,5	78	100	50	95	60	15,5	88	32

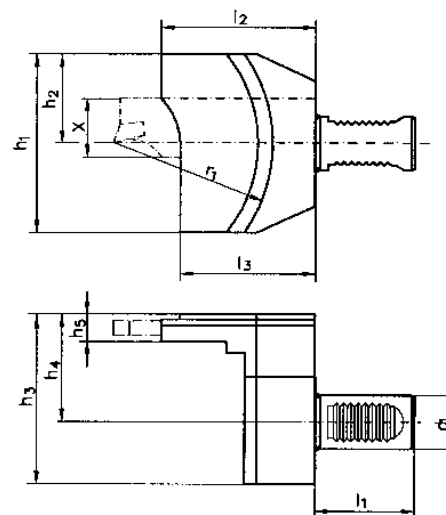
## Cutting Holder for „ISCAR“ Inserts, Overhead

for manufacturer

**SAUTER**

for turret type

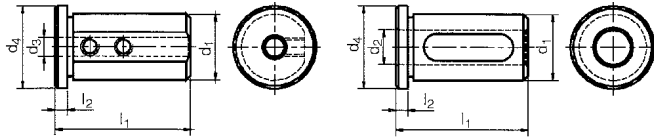
Star-type turret



Order No.	Size	d1 mm	l1 mm	l2 mm	l3 mm	h1 mm	h2 mm	h3 mm	h4 mm	h5 mm	r1 mm	X mm
121335	VDI 20	20	40	85,5	75	94	47	95	60	15,5	88	26
121339	VDI 25	25	48	85,0	75	73	39	72	43	15,5	88	26
121336	VDI 25	25	48	85,0	75	73	39	72	43	15,5	88	32
121264	VDI 30	30	55	85,5	75	100	50	95	60	15,5	88	26
121286	VDI 30	30	55	85,5	75	100	50	95	60	15,5	88	32
121314	VDI 40	40	63	85,5	75	100	50	95	60	15,5	88	26
121272	VDI 40	40	63	88,5	78	100	50	95	60	15,5	88	32

## Accessories

### Sleeve

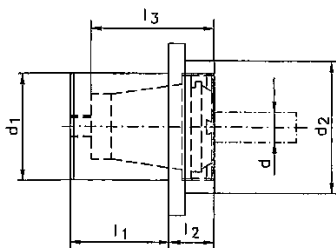


Pict. 1

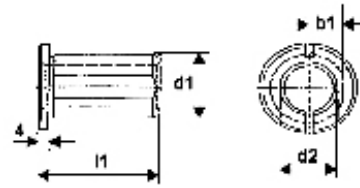
Pict. 2

Order No.	Pict.	d1 mm	d2 mm	d3 mm	d4 mm	l1 mm	l2 mm
104527	1	25		6	29	50	4
104444	1	25		8	29	50	4
104445	1	25		10	29	50	4
104494	1	25		12	29	50	4
104537	2	25	16		29	50	4
104469	2	25	20		29	50	4
104528	1	32		6	36	58	5
104519	1	32		8	36	58	5
104454	1	32		10	36	58	5
104487	1	32		12	36	58	5
104548	2	32	16		36	58	5
104489	2	32	20		36	58	5
104522	2	32	25		36	58	5
104507	1	40		8	44	58	5
104549	1	40		10	44	58	5
104531	1	40		12	44	58	5
104514	2	40	16		44	58	5
104555	2	40	20		44	58	5
104551	2	40	25		44	58	5
104609	2	40	32		44	58	5
104558	1	50		12	54	75	5
104525	2	50	16		54	75	5
104586	2	50	20		54	75	5
104587	2	50	25		54	75	5
104588	2	50	32		54	75	5
104559	2	50	40		54	75	5

### Collet Chuck for Boring Bar Holder



### Bushing, slottet



Order No.	d1 mm	d2 mm	d3 mm	l1 mm	b1 mm
104492	20	8	24	30	4
104481	20	10	24	30	4
104461	20	12	24	30	4
104462	20	14	24	30	4
104501	20	15	24	30	4
104451	20	16	24	30	4
104536	25	8	29	40	4
104493	25	10	29	40	4
104484	25	12	29	40	4
104504	25	14	29	40	4
104463	25	15	29	40	4
104545	25	16	29	40	4
104485	25	18	29	40	4
104511	25	20	29	40	4
104453	32	8	36	50	4
104529	32	10	36	50	4
104486	32	12	36	50	4
104563	32	14	36	50	4
104497	32	15	36	50	4
104547	32	16	36	50	4
104488	32	18	36	50	4
104498	32	20	36	50	4
104543	32	25	36	50	4
104508	40	10	44	78	4
104565	40	12	44	78	4
104550	40	14	44	78	4
104523	40	15	44	78	4
104582	40	16	44	78	4
104524	40	18	44	78	4
104591	40	20	44	78	4
104584	40	25	44	78	4
104608	40	32	44	78	4

Order No.	d1 mm	d mm	d2 mm	l1 mm	l2 mm
121308	25	1-13	35	29	18
121315	32	1-16	40	32	20
121287	40	2-20	50	38	20

## VDI Toolholders

Our toolholders for CNC lathes feature cylindrical shanks acc. to DIN 69880/VDI 3425. They are made from case hardened steel, the hardness of the wearing surfaces is  $58 \pm 2$  HRC.

All functional surfaces are ground and browned. The tooling on the shank is ground.

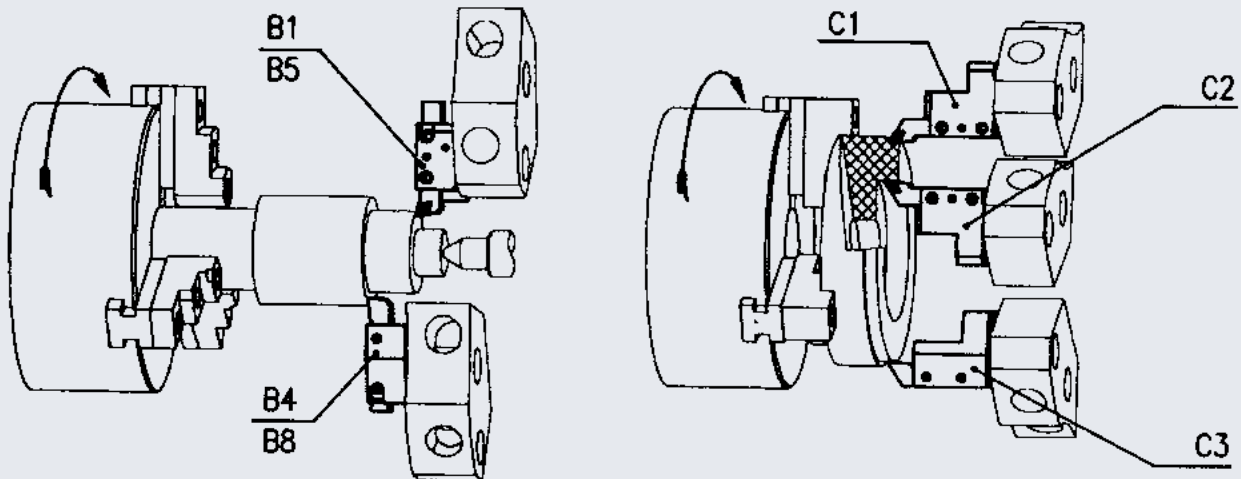
As far as technically possible, all tool holders are provided with internal coolant supply and adjustable ball-type nozzles.

They are fitted with a spring-loaded pressure plate.

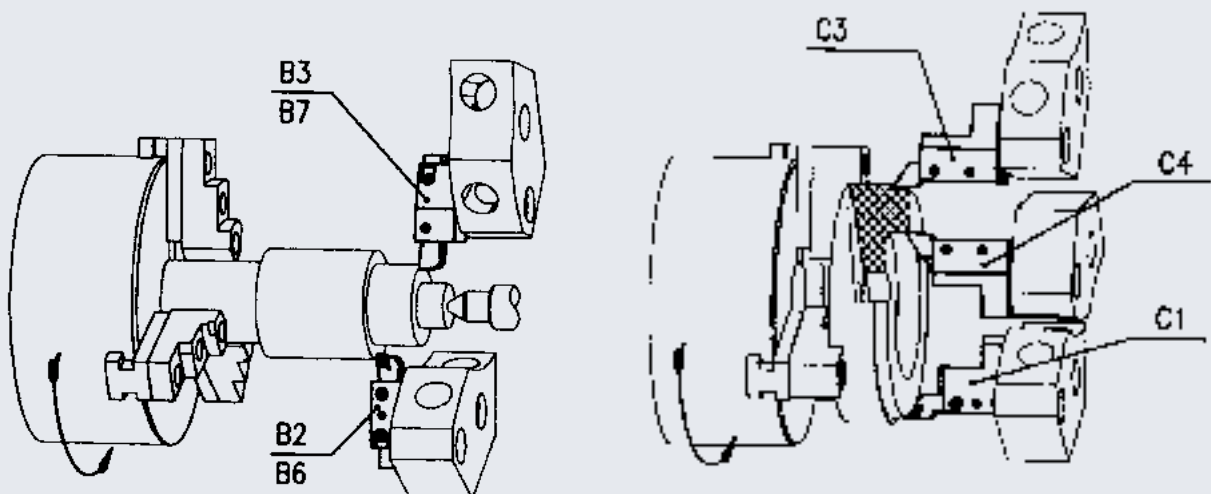
Further designs on request.



### Operation with Toolholders in Anti-clockwise Rotation



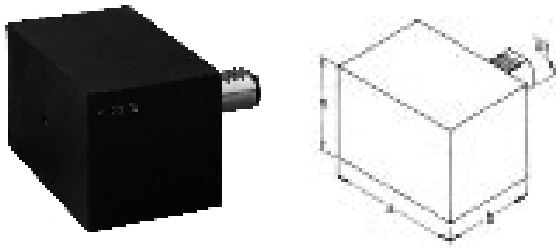
### Operation with Toolholders in Clockwise Rotation





# VDI Toolholders

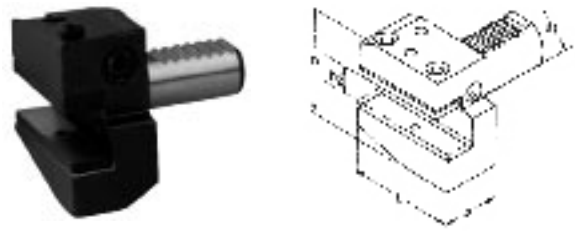
## Blanks



A1 rectangular

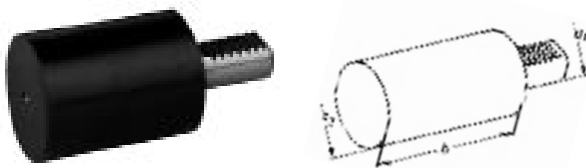
Order No.	d1 mm	a mm	h mm	b mm
105111	16	78	44	44
105163	20	100	60	65
105136	30	130	76	85
105154	40	151	96	100
105143	50	160	120	125
105171	60	165	125	160

## Radial Toolholders



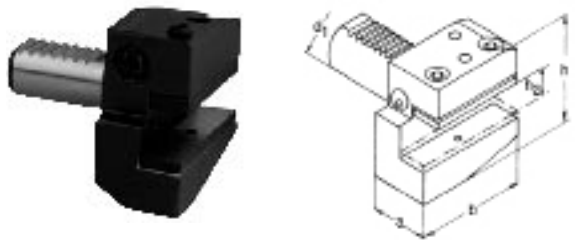
B1 right-hand, short

Order No.	d1 mm	h mm	h2 mm	a mm	b mm
104930	16	12	10	24	42
104900	20	16/12	12	30	55
104938	30	20/16	16	40	70
104939	40	25/20	20	44	85
104908	50	32/25	25	55	100
104909	60	32/25	25	60	125



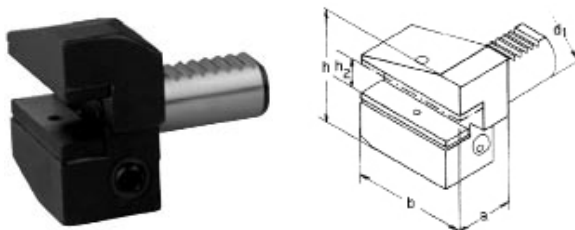
A2 round

Order No.	d1 mm	d2 mm	b mm
105161	16	40	60
105135	20	50	70
105092	30	68	100
105169	30	68	240
105137	40	83	120
105156	40	83	320
105157	50	98	135
105093	50	98	400
105170	60	123	150
105177	60	123	480



B2 left-hand, short

Order No.	d1 mm	h mm	h2 mm	a mm	b mm
104981	16	12	10	24	42
104958	20	16/12	12	30	55
104960	30	20/16	16	40	70
104988	40	25/20	20	44	85
104965	50	32/25	25	55	100
105025	60	32/25	25	60	125

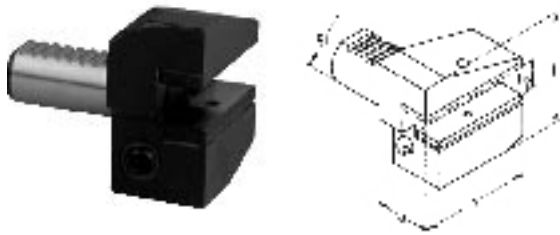


B3 overhead, right-hand, short

Order No.	d1 mm	h mm	h2 mm	a mm	b mm
104910	16	12	10	24	42
104904	20	16/12	12	30	55
104924	30	20/16	16	40	70
104949	40	25/20	20	44	85
104943	50	32/25	25	55	100
104970	60	32/25	25	60	125

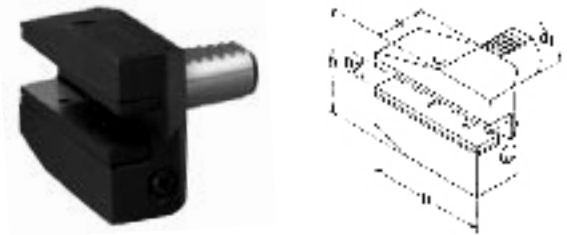
# VDI Toolholders

## Radial Toolholders



B4 overhead, left-hand, short

Order No.	d1 mm	h mm	h2 mm	a mm	b mm
104912	16	12	10	24	42
104927	20	16/12	12	30	55
104964	30	20/16	16	40	70
104956	40	25/20	20	44	85
104973	50	32/25	25	55	100
104935	60	32/25	25	60	125



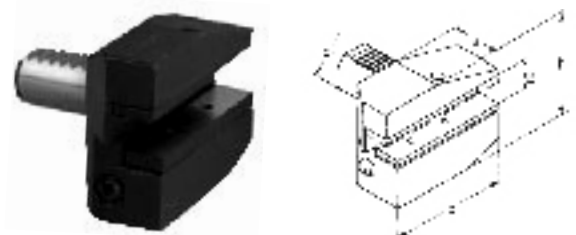
B7 overhead, right-hand, long

Order No.	d1 mm	h mm	h2 mm	a mm	b mm
104001	16	12	10	24	58
104025	20	16/12	12	30	75
104042	30	20/16	16	40	100
103985	40	25/20	20	44	118
104033	50	32/25	25	55	130
104008	60	32/25	25	60	145



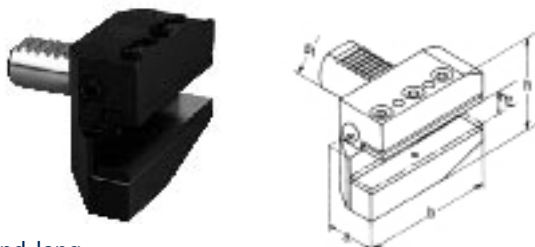
B5 right-hand, long

Order No.	d1 mm	h mm	h2 mm	a mm	b mm
104024	16	12	10	24	58
104032	20	16/12	12	30	75
103983	30	20/16	16	40	100
104007	40	25/20	20	44	118
103994	50	32/25	25	55	130
104050	60	32/25	25	60	145



B8 overhead, left-hand, long

Order No.	d1 mm	h mm	h2 mm	a mm	b mm
104060	16	12	10	24	58
103986	20	16/12	12	30	75
104061	30	20/16	16	40	100
104062	40	25/20	20	44	118
104034	50	32/25	25	55	130
104054	60	32/25	25	60	145



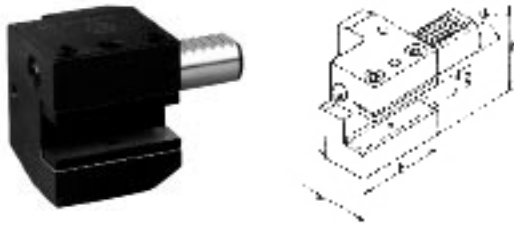
B6 left-hand, long

Order No.	d1 mm	h mm	h2 mm	a mm	b mm
104036	16	12	10	24	58
104003	20	16/12	12	30	75
104009	30	20/16	16	40	100
104043	40	25/20	20	44	118
104063	50	32/25	25	55	130
104077	60	32/25	25	60	145



# VDI Toolholders

## Axial Toolholders



C1 right-hand

Order No.	d1 mm	h mm	h2 mm	a mm	b mm
103999	16	12	10	44	43
103928	20	16/12	12	50	52
103971	30	20/16	16	70	70
103992	40	25/20	20	85	85
103993	50	32/25	25	100	100
103982	60	32/25	25	125	125



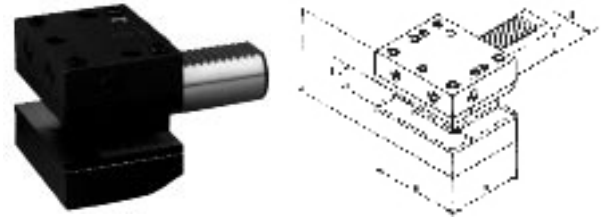
C4 overhead, left-hand

Order No.	d1 mm	h mm	h2 mm	a mm	b mm
104613	16	12	10	44	43
104569	20	16/12	12	50	52
104605	30	20/16	16	70	70
104606	40	25/20	20	85	85
104644	50	32/25	25	100	100
104570	60	32/25	25	125	125



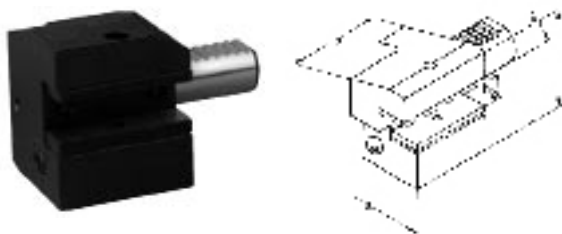
C2 left-hand

Order No.	d1 mm	h mm	h2 mm	a mm	b mm
104651	16	12	10	44	43
104715	20	16/12	12	50	52
104761	30	20/16	16	70	70
104661	40	25/20	20	85	85
104669	50	32/25	25	100	100
104753	60	32/25	25	125	125



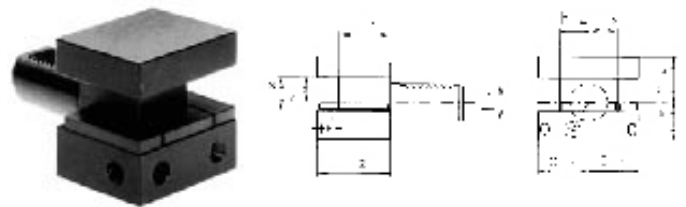
D1 Axial multiple Toolholder

Order No.	d1 mm	h mm	h2 mm	a mm	b mm
104064	30	20/16	16	60	76
104069	40	25/20	20	72	90
104056	50	32/25	25	85	105



C3 overhead, right-hand

Order No.	d1 mm	h mm	h2 mm	a mm	b mm
104184	16	12	10	44	43
104199	20	16/12	12	50	52
104209	30	20/16	16	70	70
104240	40	25/20	20	85	85
104201	50	32/25	25	100	100
104211	60	32/25	25	125	125



D2 Axial multiple Toolholder, overhead

Order No.	d1 mm	h mm	h2 mm	a mm	b mm
104086	30	20/16	16	60	76
104087	40	25/20	20	72	90
104013	50	32/25	25	85	105

## VDI Toolholders

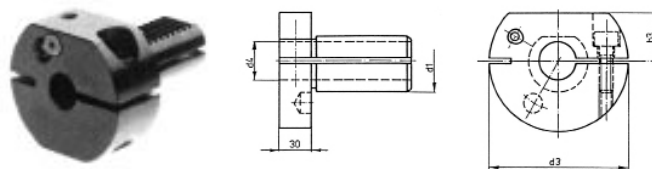
### U-Drill Holder



E1

Order No.	d1 mm	d2 mm	d4 mm	b mm
104403	20	10	50	
104399	20	12	50	
104381	20	16	50	66
104430	20	20	50	67
104382	20	25	50	71
104400	30	10	68	
104362	30	12	68	
104439	30	16	68	66
104414	30	20	68	67
104433	30	25	68	71
104434	30	32	68	75
104441	30	40	68	
104391	40	10	83	
104436	40	12	83	
104456	40	16	83	66
104405	40	20	83	67
104465	40	25	83	75
104406	40	32	83	75
104474	40	40	83	90
104407	40	50	83	
104408	50	10	98	
104482	50	12	98	
104476	50	16	98	
104416	50	20	98	67
104459	50	25	98	80
104466	50	32	98	80
104483	50	40	98	90
104491	50	50	98	100
104467	60	10	123	
104409	60	12	123	
104417	60	16	123	
104500	60	20	123	80
104477	60	25	123	80
104449	60	32	123	80
104509	60	40	123	90
104478	60	50	123	100

### Boring Bar Holder

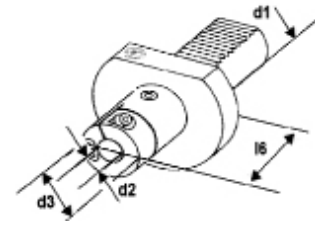
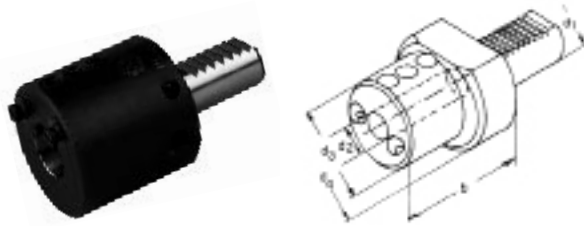


Order No.	d1 mm	d4 mm	d3 mm	h3 mm
104202	30	12	68	28,0
104257	30	16	68	28,0
104224	30	20	68	28,0
104249	40	12	83	32,5
104225	40	16	83	32,5
104266	40	20	83	32,5
104226	40	25	83	32,5
104233	40	32	83	32,5
104250	50	12	98	35,0
104275	50	16	98	35,0
104267	50	20	98	35,0
104215	50	25	98	35,0
104234	50	32	98	35,0
104251	60	16	123	42,5
104242	60	20	123	42,5
104258	60	25	123	42,5
104170	60	32	123	42,5



# VDI Toolholders

## Boring Bar Holders



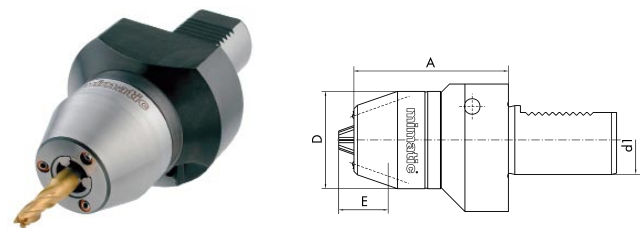
E2

Order No.	d1 mm	d2 mm	d4 mm	b mm
104139	16	6	40	44
104084	16	8	40	44
104085	16	10	40	44
104125	16	12	40	44
104149	16	16	40	44
104158	20	8	50	50
104126	20	10	50	50
104115	20	12	50	50
104159	20	16	50	50
104167	20	20	50	50
104150	20	25	50	60
104142	30	8	68	60
104195	30	10	68	60
104108	30	12	68	60
104130	30	16	68	60
104186	30	20	68	60
104178	30	25	68	60
104179	30	32	68	75
104153	40	8	83	75
104187	40	10	83	75
104109	40	12	83	75
104110	40	16	83	75
104155	40	20	83	75
104145	40	25	83	75
104119	40	32	83	75
104189	40	40	83	90
104168	50	12	98	90
104206	50	16	98	90
104182	50	20	98	90
104148	50	25	98	90
104207	50	32	98	90
104198	50	40	98	90
104157	50	50	98	100
104221	60	12	123	90
104192	60	16	123	90
104169	60	20	123	90
104164	60	25	123	90
104222	60	32	123	90
104165	60	40	123	90
104166	60	50	123	100

E2S slotted

Order No.	d1 mm	d2 mm	d3 mm	l6 mm
104194	30	6	30	57
104129	30	8	30	57
104107	30	10	36	57
104143	30	12	36	57
104203	30	16	40	57
104160	30	20	44	57
104204	30	25	49	72
104196	30	32	56	72
104144	40	10	36	62
104188	40	12	36	62
104111	40	16	40	62
104181	40	20	44	62
104118	40	25	49	77
104146	40	32	56	77
104163	40	40	64	77

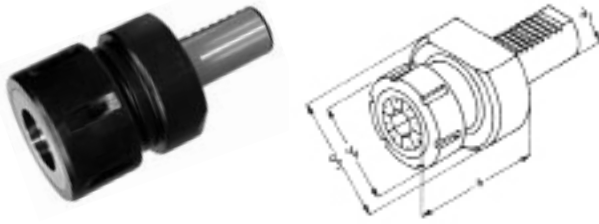
## Universal Chuck



Order No.	d1 mm	A mm	D mm	E mm	
131983	20	0,5-10	40	48,5	27
132019	30	0,5-13	90	56,5	29
132046	30	3,0-16	90	56,5	29
132006	40	0,5-13	90	56,5	29
132047	40	3,0-16	90	56,5	29
132033	50	0,5-13	90	56,5	29
132039	50	3,0-16	90	56,5	29

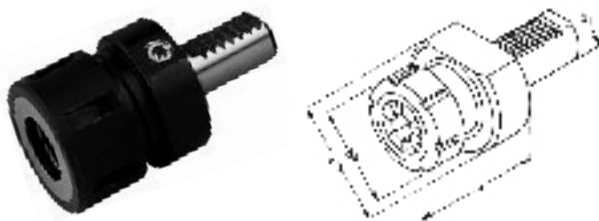
## VDI Toolholders

### Collet Chuck



#### OZ „Ortlieb“ E3

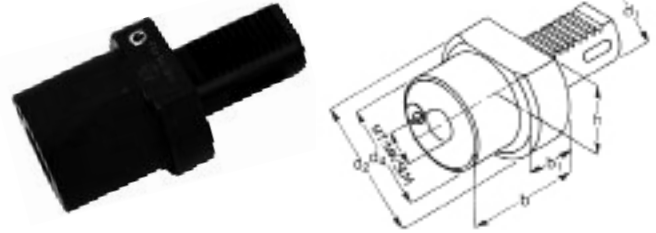
Order No.	d1 mm	Range	DIN	d3 mm	b mm
104653	16	1,5-16	415 E	40	65
104662	20	1,5-16	415 E	50	57
104579	30	1,5-25	462 E	68	75
104655	40	1,5-25	462 E	83	75
104673	40	3,5-32	467 E	83	90
104631	50	1,5-25	462 E	98	75
104656	50	3,5-32	467 E	98	90
104642	60	3,5-32	467 E	123	90



#### ER „Regofix“ E4

Order No.	d1 mm	Range	DIN	d3 mm	b mm
104614	16	0,5-10	ER 16	40	40
104576	20	0,5-10	ER 16	50	40
104628	20	0,5-16	ER 25	50	54
104571	30	0,5-16	ER 25	68	74
104629	30	1,0-20	ER 32	68	74
104645	30	2,0-30	ER 40	68	74
104646	40	0,5-16	ER 25	83	70
104615	40	1,0-20	ER 32	83	84
104594	40	2,0-30	ER 40	83	75
104616	50	2,0-30	ER 40	98	90
104619	60	2,0-30	ER 40	123	75

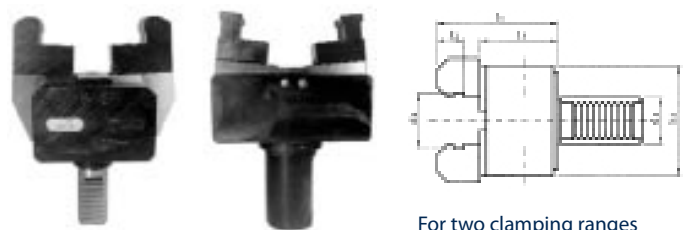
### Morse Taper Holder



#### F

Order No.	d1 mm	MK	h mm	d2 mm	b mm
104347	20	1	23,0	50	22
104265	30	1	28,0	68	27
104297	30	2	28,0	68	36
104350	30	3	28,0	68	66
104352	40	2	32,5	83	36
104307	40	3	32,5	83	50
104299	40	4	32,5	83	80
104319	50	2	35,0	98	36
104383	50	3	35,0	98	45
104332	50	4	35,0	98	55
104328	50	5	35	98	68
104335	60	3	42,5	123	36
104393	60	4	42,5	123	50
104394	60	5	42,5	123	81

### Bar Puller



For two clamping ranges

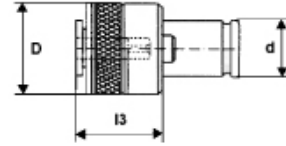
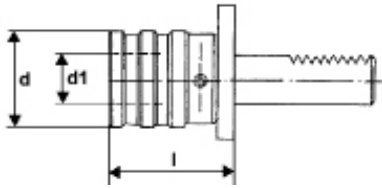
#### KH

Order No.	d1 mm	Range #1 #2	b1 mm	h1 mm	l1 mm	l2 mm	l3 mm
104733	16	6-56					
104757	20	6-56 54-110	50	72	46	4	51
104806	30	6-56 54-110	50	72	46	4	51
104798	40*	10-60 54-110	60	110	48	4	53
104789	50	10-75 62-125	65	130	67	5	73

\* mit drehbaren Spannbacken With reversible clamping jaws

## VDI Toolholders

### Quick Change Tapping Chucks



With length compensation on traction and pressure

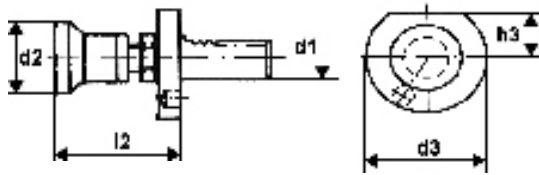
Order No.	d <sub>1</sub> mm	Size	d mm	d <sub>1</sub> mm	l mm
104815	20	SES 1	36	19	52,2
104800	30	SES 1	38	19	55,0
104739	30	SES 2	54	31	77,0
104758	40	SES 1	38	19	55,0
104780	40	SES 2	54	31	77,0
104807	40	SES 3	78	48	122,0
104759	50	SES 1	36	19	52,2
104781	50	SES 2	53	31	76,0
104740	50	SES 3	78	48	108,0
104801	50	SES 4	96	60	122,0
104802	60	SES 4	96	60	119,0

Quick change insert with safety coupling

Order No.	Range	Size	d mm	D mm	l <sub>3</sub> mm
104819	M10	SES 1	19	32,6	25
12.4605Mxx	M8 -M20	SES 2	31	50,5	31
12.4606Mxx	M14-M33	SES 3	48	72,0	45
12.4608Mxx	M22-M48	SES 4	60	95,0	68

Please specify the thread or the dimension of the tap. Represents new order numbers from 104767 to 104860.

### Material Stop



MW travelling, adjustable

Order No.	d <sub>1</sub> mm	d <sub>2</sub> mm	d <sub>3</sub> mm	l <sub>2</sub> mm	h <sub>3</sub> mm
104308	20	26	50	50-70	23,0
104341	20	32	50	50-70	23,0
104377	20	42	50	50-70	23,0
104326	30	32	68	62-95	28,0
104309	30	42	68	62-95	28,0
104358	30	58	68	62-95	28,0
104334	40	32	83	62-95	32,5
104283	40	42	83	62-95	32,5
104301	40	58	83	62-95	32,5

### Protection Plug



Z2 Steel/Plastic

Order No.	d <sub>1</sub> mm	Material	D mm	l mm
104611	16	steel	40	13
104561	16	plastic	40	13
104567	20	steel	50	16
104601	20	plastic	50	16
104602	30	steel	68	16
104532	30	plastic	68	16
104603	40	steel	83	20
104612	40	plastic	83	20
104562	50	steel	98	20
104575	50	plastic	98	20
104604	60	steel	123	20
104635	60	plastic	123	20

## Accessories

### Wrenches and Clamping Nuts



Hook wrench to hold against

Order No.	Size	Type	DIN
107557	ER 16	inlying	1810-B
107608	ER 20	inlying	1810-B
107446	ER 25	inlying	1810-B
107558	ER 25	outlying	1810-A
107642	ER 32	inlying	1810-B
107607	ER 32	outlying	1810-B
107566	ER 40	inlying	1810-B
107628	ER 40	outlying	1810-A
107605		Sawblade holder	1810-A
107447		Milling arbor 22	1810-B

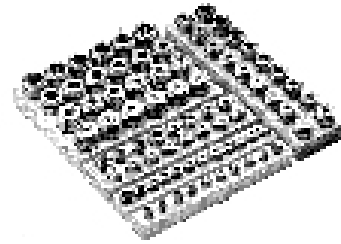
Wrench for ER Clamping Nuts

Order No.	Size	Type
112912	ER 11	inlying
112954	ER 16	inlying
112929	ER 20	inlying
112913	ER 25	inlying
112900	ER 32	inlying
112867	ER 40	inlying
107628	ER 40	outlying

ER Clamping Nuts

Order No.	Size	Type	Internal coolant
112953	ER 11	inlying	
112860	ER 16	inlying	
112938	ER 20	inlying	
112961	ER 25	inlying	
112977	ER 32	inlying	
112946	ER 40	inlying	
112962	ER 16	inlying	X
112940	ER 20	inlying	X
112901	ER 25	inlying	X
112963	ER 32	inlying	X
112978	ER 40	inlying	X
112513	ER 40	outlying	
117744	ER 40	outlying	X

### Collet Sets



DIN 6499-B, Class 2 (3 µm)

Order No.	Pieces	Size	Range
152712	10	ER 16	1-10
120174	12	ER 20	2-13
152713	15	ER 25	2-16
152715	18	ER 32	3-20
152716	23	ER 40	4-26

DIN 6499-B, (6 µm)

Order No.	Pieces	Size	Range
120131	10	ER 16	1-10
120154	12	ER 20	2-13
120349	15	ER 25	2-16
120612	18	ER 32	3-20
120730	23	ER 40	4-26

Threading Collets Type ET with length compensation

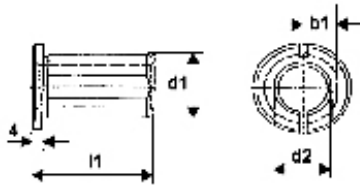
Order No.	Pieces	Size	Range
152717	9	2,5-6	M1-M8
152718	8	2,8-9	M2-M12
120847	8	4,5-12	M4-M16
120827	9	6,0-16	M4-M22



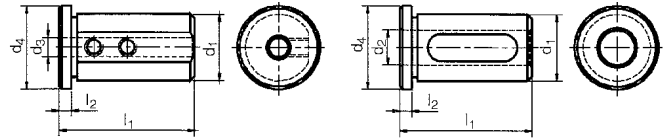


Accessories

Reducing Sleeve, slotted



Reducing Sleeve



Pict. 1

Pict. 2

Order No.	d1 mm	d2 mm	d3 mm	l1 mm	b1 mm
104492	20	8	24	30	4
104481	20	10	24	30	4
104461	20	12	24	30	4
104462	20	14	24	30	4
104501	20	15	24	30	4
104451	20	16	24	30	4
104536	25	8	29	40	4
104493	25	10	29	40	4
104484	25	12	29	40	4
104504	25	14	29	40	4
104463	25	15	29	40	4
104545	25	16	29	40	4
104485	25	18	29	40	4
104511	25	20	29	40	4
104453	32	8	36	50	4
104529	32	10	36	50	4
104486	32	12	36	50	4
104563	32	14	36	50	4
104497	32	15	36	50	4
104547	32	16	36	50	4
104488	32	18	36	50	4
104498	32	20	36	50	4
104543	32	25	36	50	4
104508	40	10	44	78	4
104565	40	12	44	78	4
104550	40	14	44	78	4
104523	40	15	44	78	4
104582	40	16	44	78	4
104524	40	18	44	78	4
104591	40	20	44	78	4
104584	40	25	44	78	4
104608	40	32	44	78	4

Order No.	Pict.	d1 mm	d2 mm	d3 mm	d4 mm	l1 mm	l2 mm
104527	1	25		6	29	50	4
104444	1	25		8	29	50	4
104445	1	25		10	29	50	4
104494	1	25		12	29	50	4
104537	2	25	16		29	50	4
104469	2	25	20		29	50	4
104528	1	32		6	40	58	5
104519	1	32		8	40	58	5
104454	1	32		10	40	58	5
104487	1	32		12	40	58	5
104548	2	32	16		40	58	5
104489	2	32	20		40	58	5
104522	2	32	25		40	58	5
104507	1	40		8	44	58	5
104549	1	40		10	44	58	5
104531	1	40		12	44	58	5
104514	2	40	16		44	58	5
104555	2	40	20		44	58	5
104551	2	40	25		44	58	5
104609	2	40	32		44	58	5
104558	1	50		12	54	75	5
104525	2	50	16		54	75	5
104586	2	50	20		54	75	5
104587	2	50	25		54	75	5
104588	2	50	32		54	75	5
104559	2	50	40		54	75	5

ZERTIFIKAT ♦ CERTIFICATE ♦ 認証書 ♦ CERTIFIKAT ♦ CERTIFICADO ♦ CERTIFICAT



Management Service

# CERTIFICATE

The Certification Body of  
TÜV SÜD Management Service GmbH  
certifies that

**mimatic**<sup>®</sup>  
T o o l S y s t e m s

**MIMATIC Zettl GmbH**  
**CNC-Präzisions- u. Sonderwerkzeuge**  
**Westendstraße 3**  
**87488 Betzigau**

has established and applies  
a Quality Management System for

**Development, Design, Production, Sales and Service of**  
**Driven Toolholders,**  
**Cutting Tools,**  
**Clamping Systems and**  
**Special Tools**

An audit was performed, Report No. 70006182  
Proof has been furnished that the requirements

according to

**ISO 9001: 2008**

are fulfilled. The certificate is valid until **2011-02-06**  
Certification Registration No. **12 100 15724 TMS**

*M. Vogel*

München, 2009-01-29



QMS-TGA-ZM-07-92

